

TRIUMPH BONNEVILLE SPEEDMASTER '25-

Cúpula NG touring-
Windshield NG touring

REF. 22999



1 Person

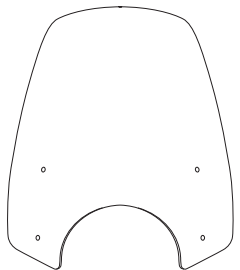
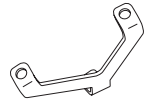
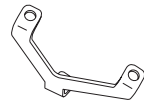

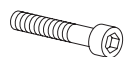






20 Min



EASY



ID.	PIEZA / PART	DESCRIPCIÓN	DESCRIPTION	QTY	REF.
1		Cúpula Touring	Touring screen	1	11055F/H/WM3
2		Soporte derecho (R)	Right support (R)	1	SOPOR2P2-L22999
3		Soporte Izquierdo (L)	Left support (L)	1	SOPOR2P2-R22999
4		Casquillo $\phi 8 \times \phi 13 \times 12$ mm	$\phi 8 \times \phi 13 \times 12$ mm Arrowhead	2	CASQUI-M----769
5		Tornillo Allen M8x45 DIN912	M8x45 DIN912 Allen screw	2	TORNI-AD912-508
6		Silentblock M5	M5 Silentblock	4	SILENBTM5-046/1
7		Arandela de nylon M5	M5 Nylon washer	4	ARNV00000000245
8		Tornillo Allen M5x16 $\phi 11$ ISO 7380	M5x16 $\phi 11$ ISO 7380 Allen screw	4	TORNI-I7380-493
9		Tapón tornillo M5 ISO 7380	M5 ISO 7380 screw cap	4	TAPON-----85

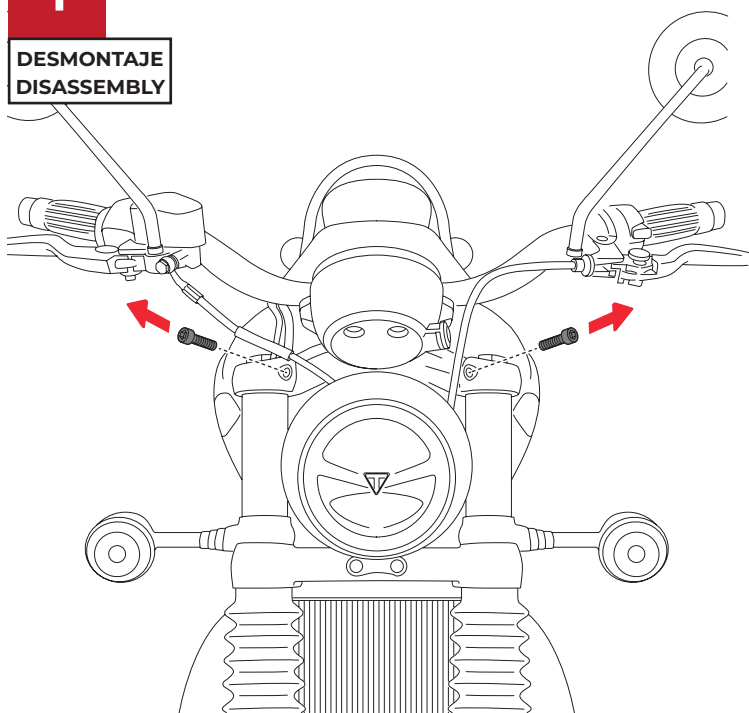
TRIUMPH BONNEVILLE SPEEDMASTER '25-

Cúpula NG touring-
Windshield NG touring

REF. 22999

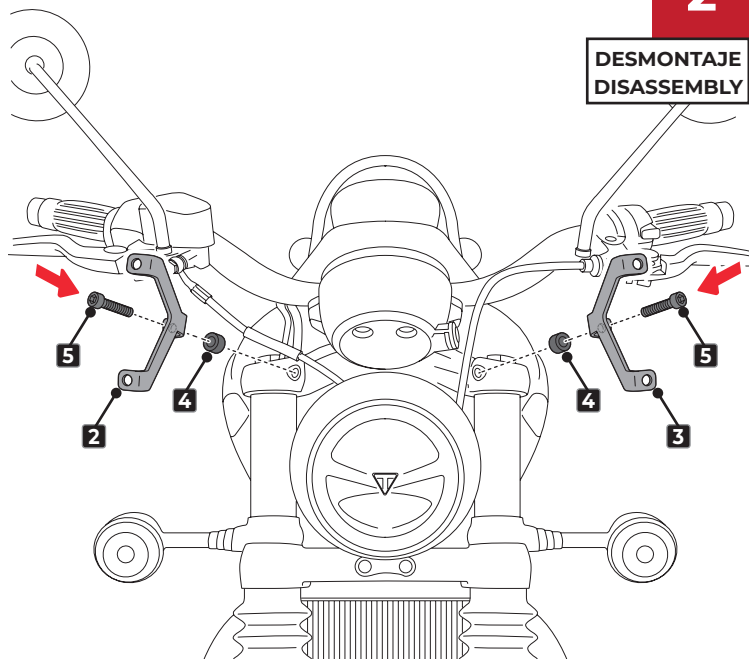
1


DESMONTAJE
DISASSEMBLY



2

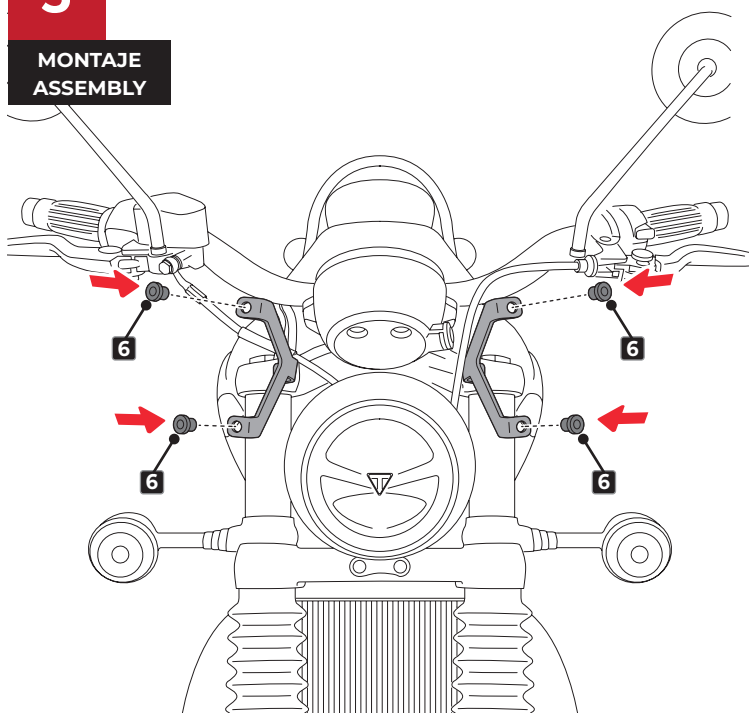
DESMONTAJE
DISASSEMBLY



A  Par de apriete - consultar manual del fabricante
Tightening torque - consult the manufacturer's manual

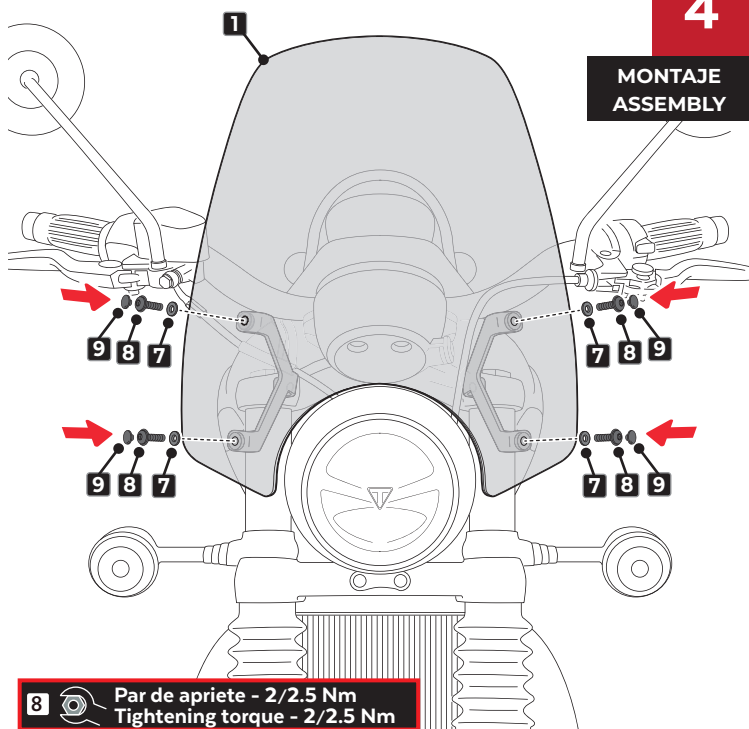
3


MONTAJE
ASSEMBLY



4

MONTAJE
ASSEMBLY



8  Par de apriete - 2/2.5 Nm
Tightening torque - 2/2.5 Nm